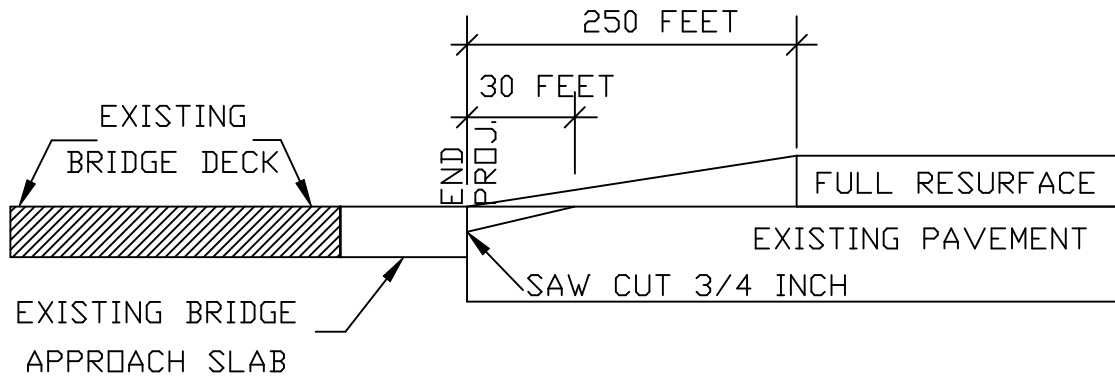
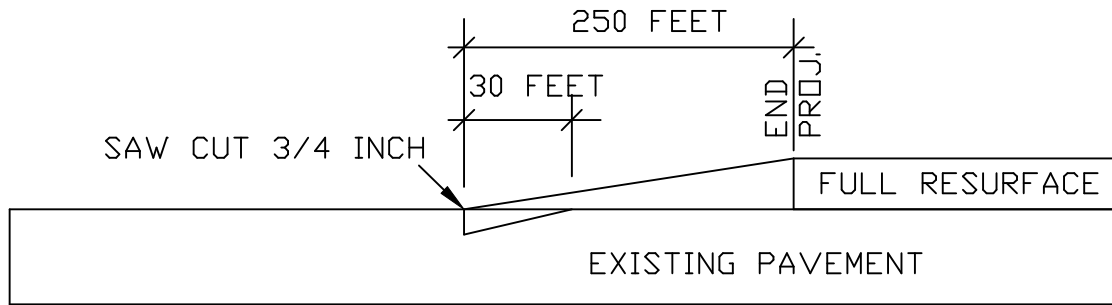


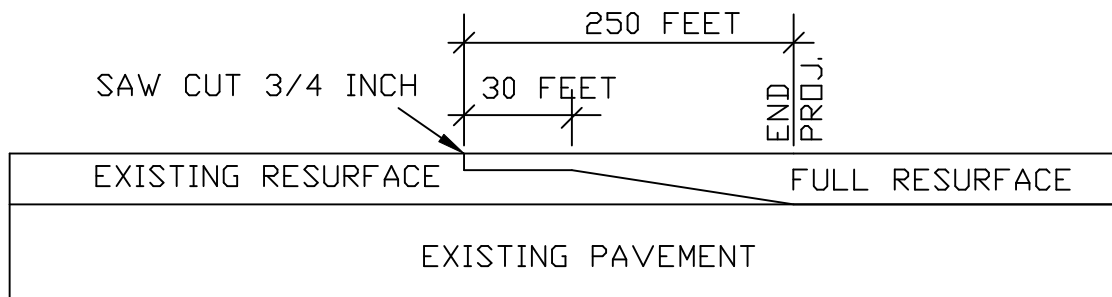
TYPICAL SECTION SHOWING RESURFACE FEATHERING AT THE BEGINNING AND END OF THE PROJECT



FOR PROJECT TERMINATING AT BRIDGE



FOR PROJECT TERMINATING ON EXISTING PAVEMENT / APPROACHES



FOR PROJECT TERMINATING AT EXISTING RESURFACE

KOSCIUSKO COUNTY HIGHWAY DEPARTMENT	
BUTT JOINT SECTION	
PROJECT:	
SCALE: No Scale - Sketch Only	
May 29, 2001	buttjoints.dwg