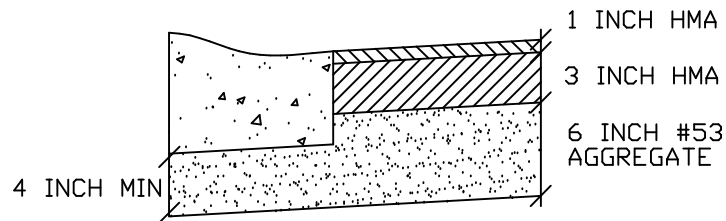
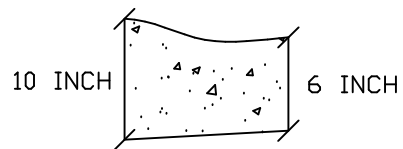
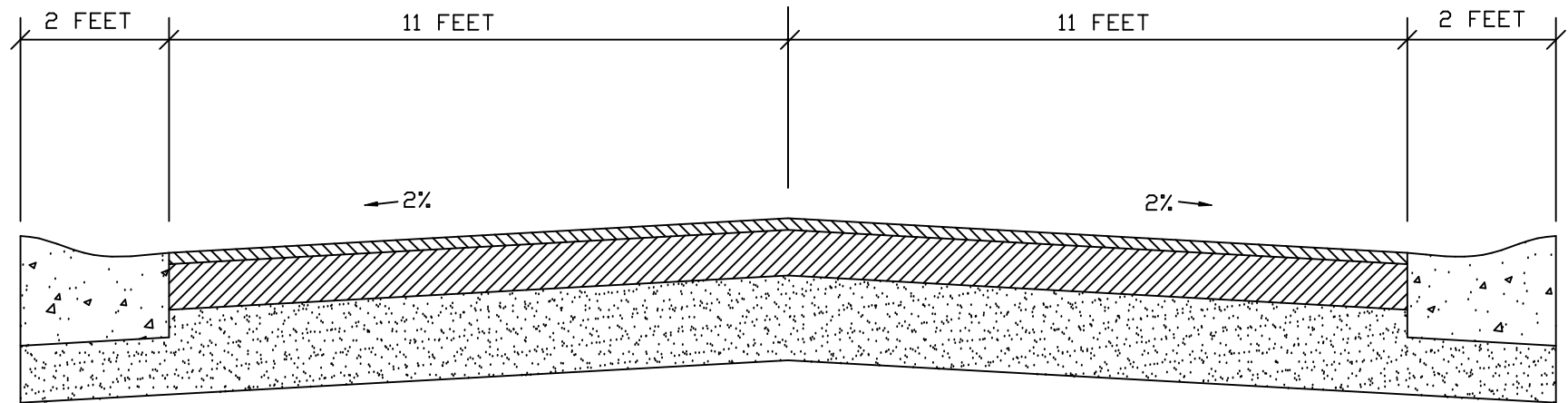


TYPICAL ROAD SECTION FOR HMA PAVEMENT IN RESIDENTIAL DEVELOPMENT



| | |
|-------------------------------------|--------------------|
| KOSCIUSKO COUNTY HIGHWAY DEPARTMENT | |
| HMA PAVEMENT ROAD SECTION | |
| PROJECT: | |
| SCALE: No Scale - Sketch Only | |
| JUNE 5, 2001 | hmaroadsection.dwg |